

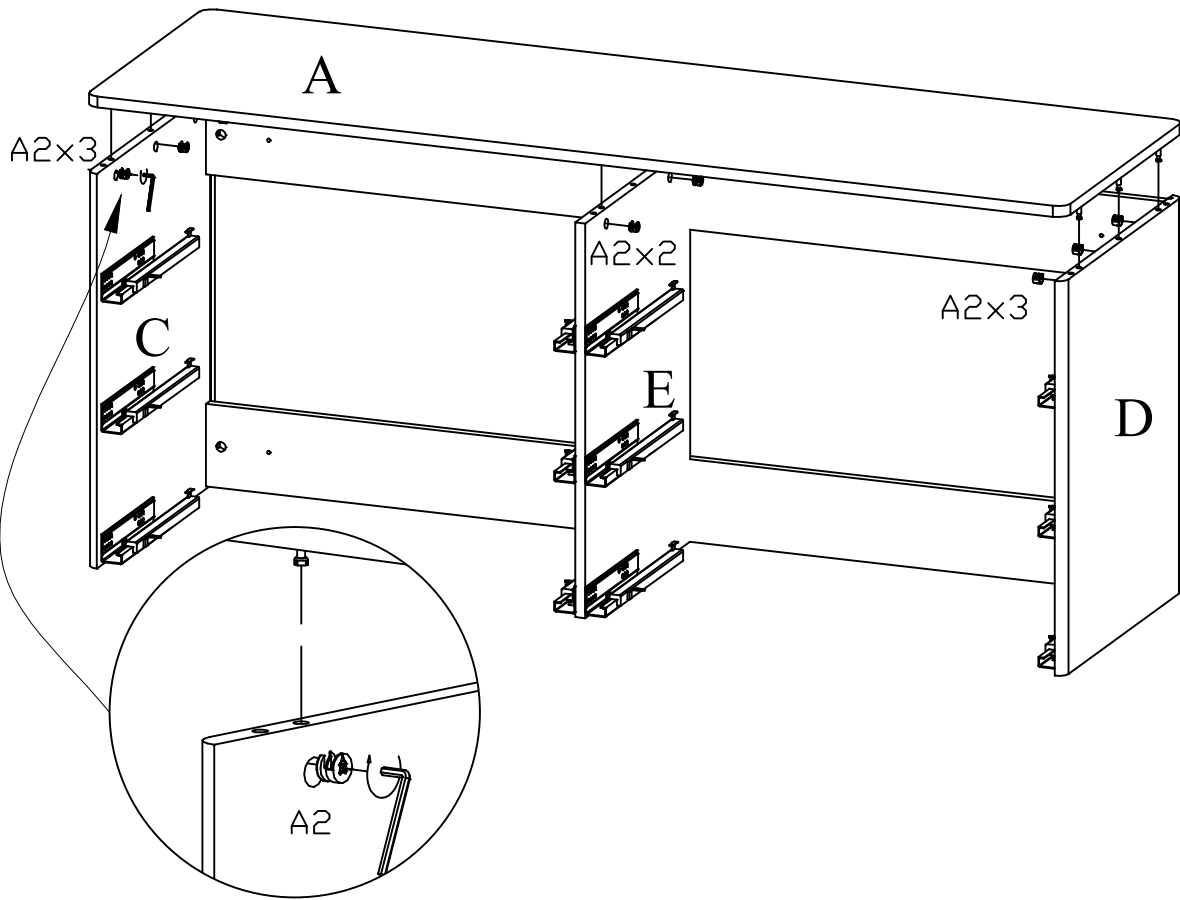




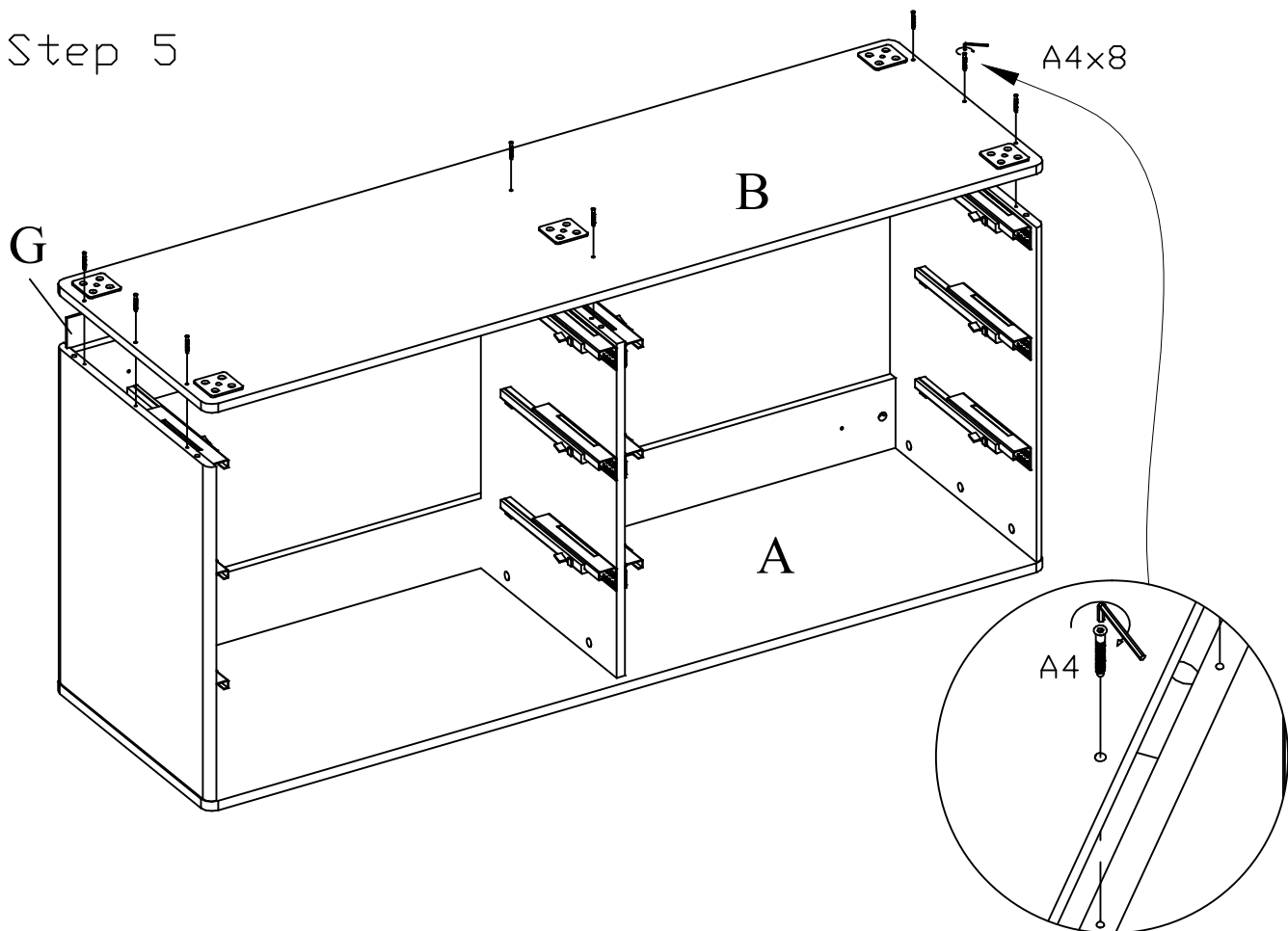




# Step 4

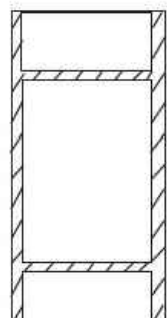
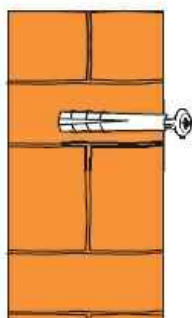
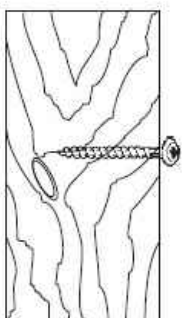
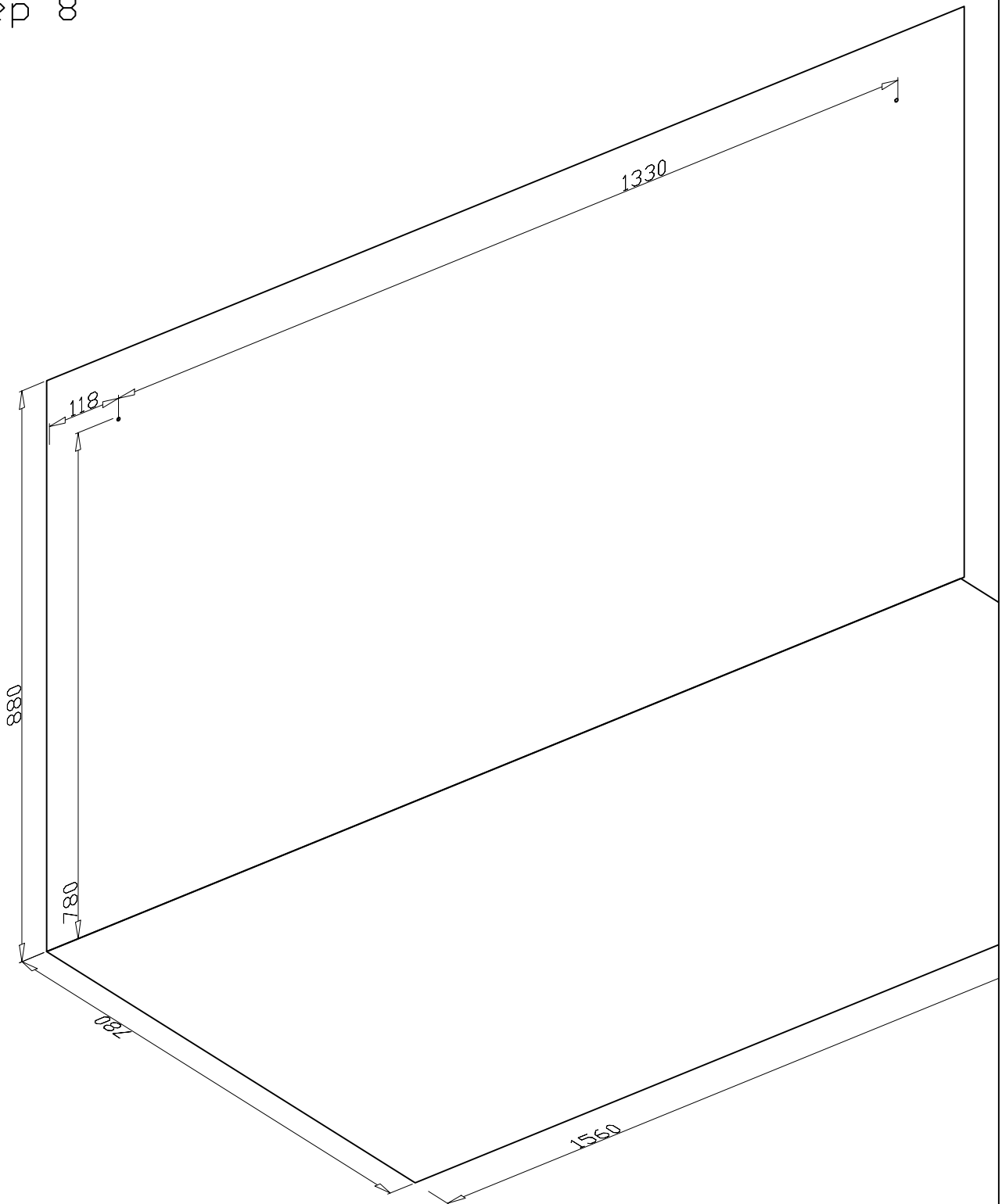


# Step 5

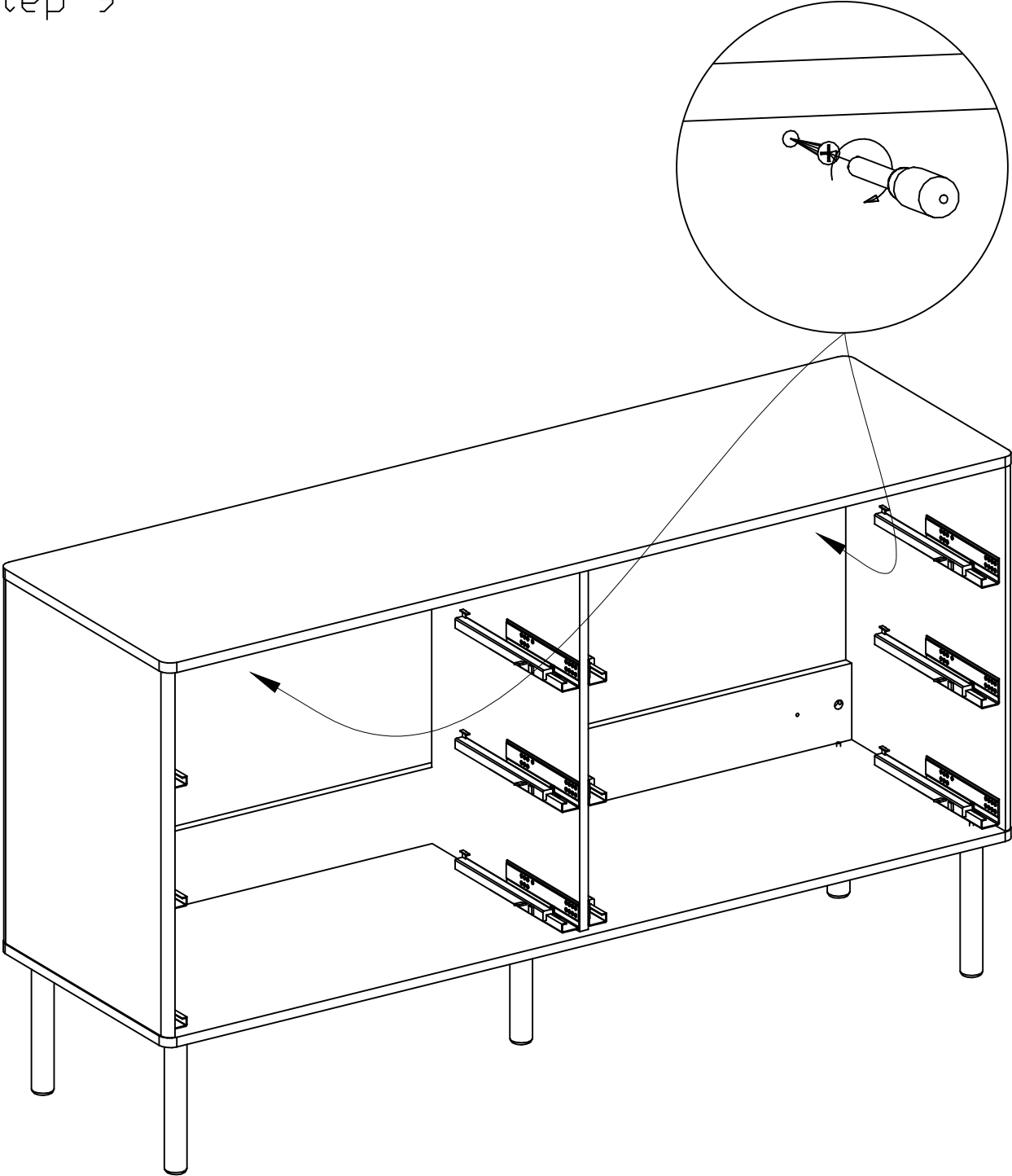




Step 8

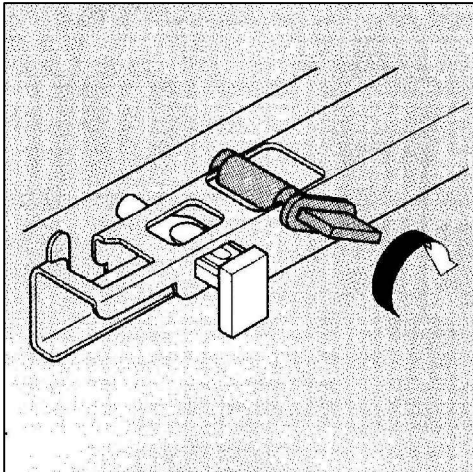
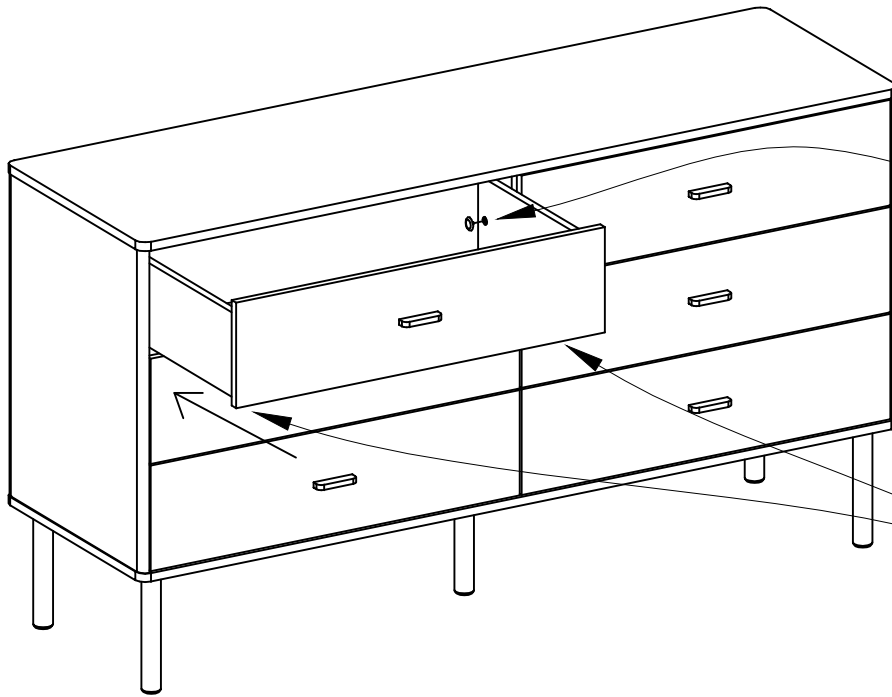


Step 9



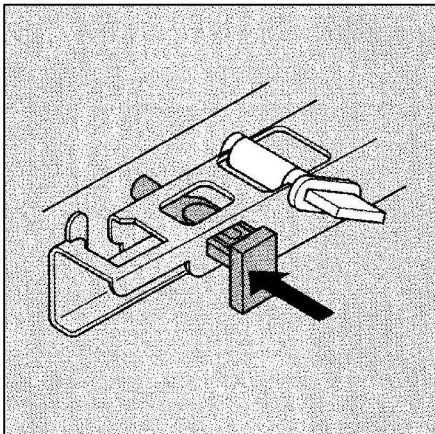


## Step 10



### Height adjustment

It's possible to make height adjustments of up to +2.5 mm. This tool-free feature produces uniform gap alignment.



### Lift-off stop

The lift-off stop prevents drawers and pull-outs from accidentally lifting off the runner. If required, the lift-off stop can be released by pulling a lever.