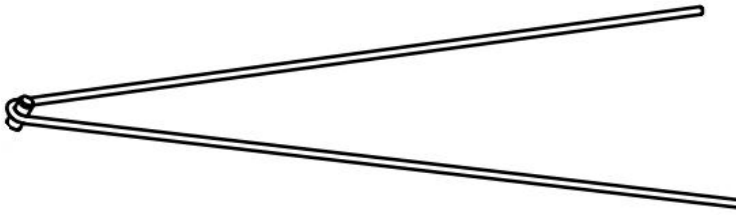
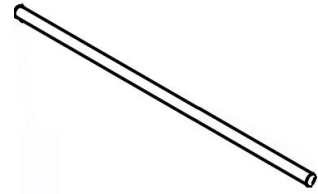


ASSEMBLY INSTRUCTION

Parts



①X2



②X1

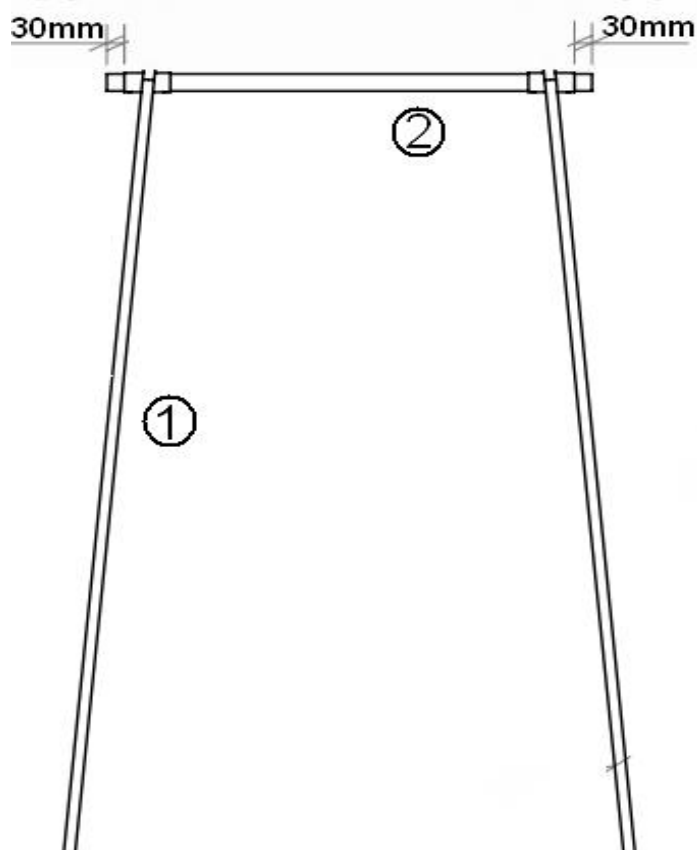
Hardwares



AX4

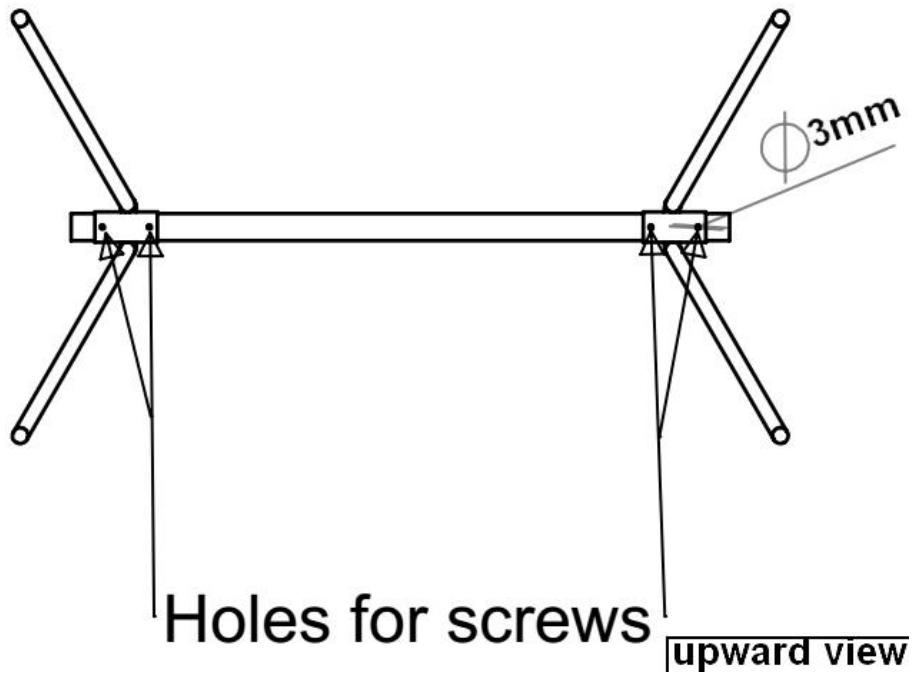
Step 1

Insert Part ② to part ①, 30mm though.



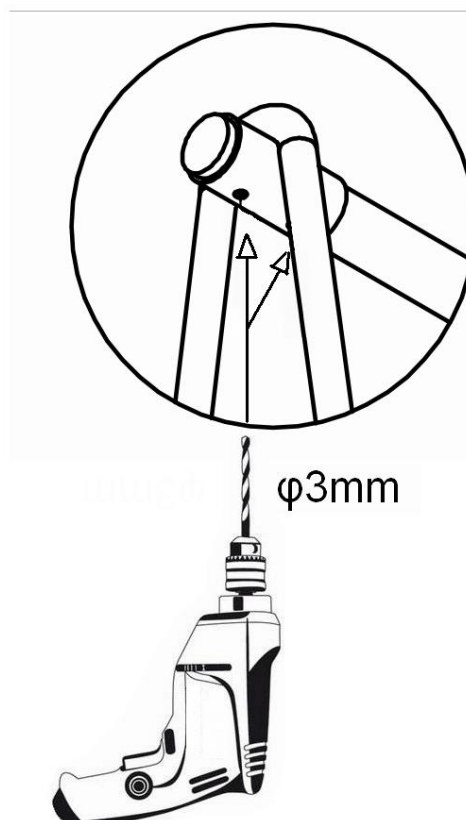
Step2

Place the coat rack standing on the floor. Mark the holes for screws on Part ②



Step3

Pre-drill on the marks on Part ②



Step4

Tight all screws on a flat floor.

