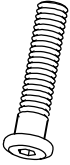



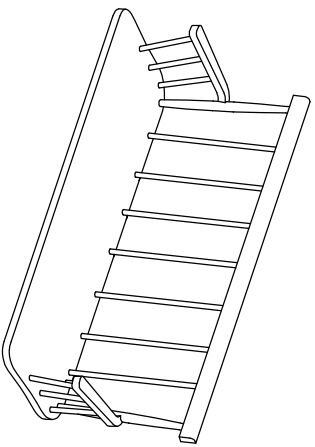


# ASSEMBLY INSTRUCTIONS

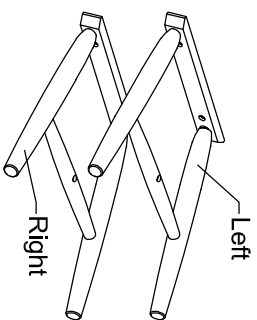
## MAGNE/ VILUM CHILDREN BENCH (90 x 36 x 60 cm)

### PARTS CHECK LIST

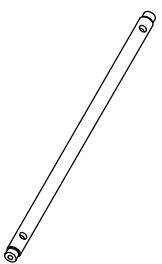
PARTS CHECK LIST		HARDWARE		
ITEM	DESCRIPTION	SIZE	QTY	
A		BOLTS (1/4 " x 60 mm)	2	
B		CROSS DOWELS (1/4 " x 13 mm)	2	
C		BOLTS (1/4 " x 30 mm) LOCK WASHER (1/4 ") FLAT WASHER (1/4 ")	4	
D		ALLEN KEY 4 mm	1	



SEAT x 1 pc



LEGS x 2 pcs

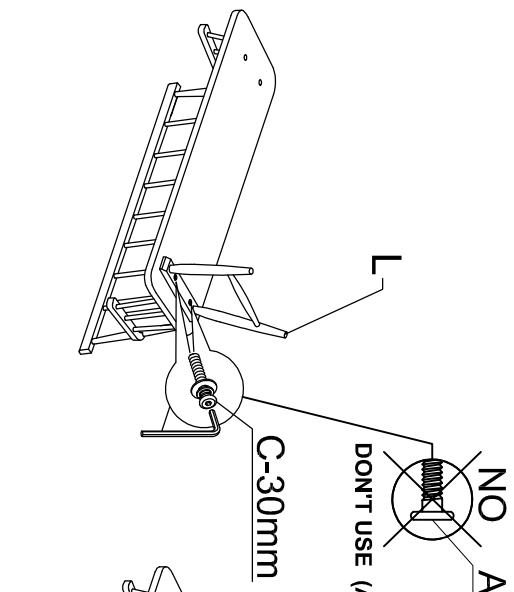
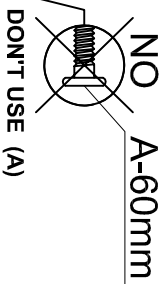


MIDDLE STICK x 1 pc

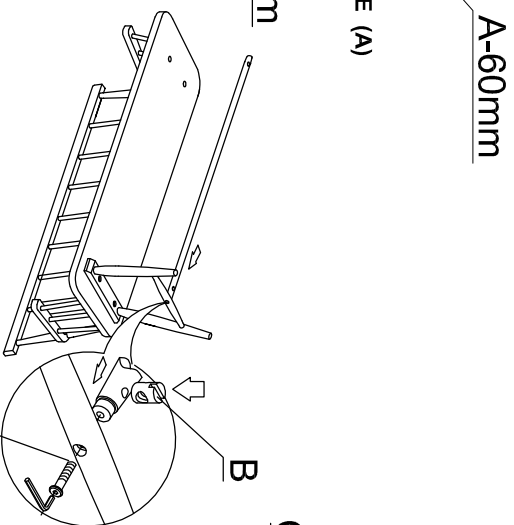
Thank you for purchasing this product. It has been designed for assembly and constructed for durability. Please follow the assembly instruction steps

**NOTE :**

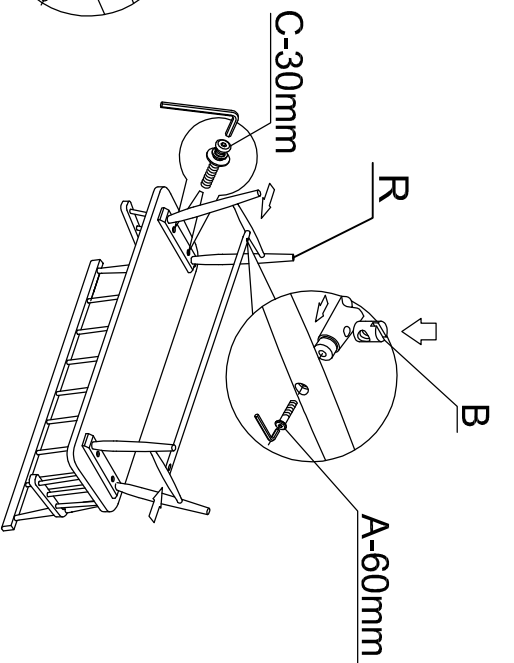
- \* Be sure to check all included parts before assembling. DO NOT USE POWER TOOLS.
- \* Keep all hardware parts out of reach of children.
- \* Assemble the item on a clean and smooth surface such as carpet to avoid the parts from being scratched



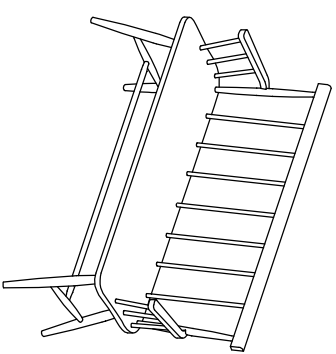
STEP 1



STEP 2



STEP 3



FINISHED