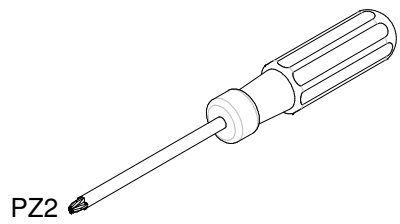
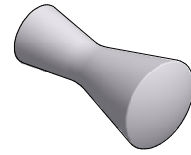


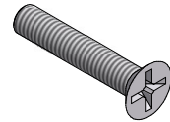
Mistral Skuffer / Drawers



PZ2



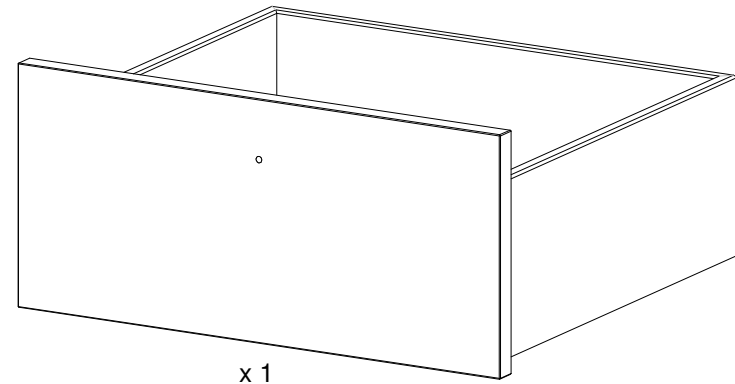
F1 x 1
(4005361)



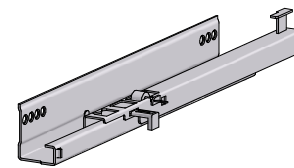
F2 x 1
(6704422)



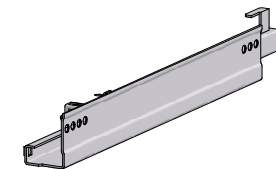
F3 x 4
(6700502)



x 1

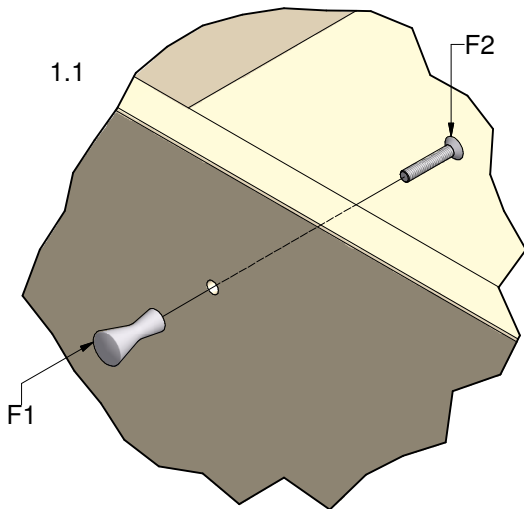
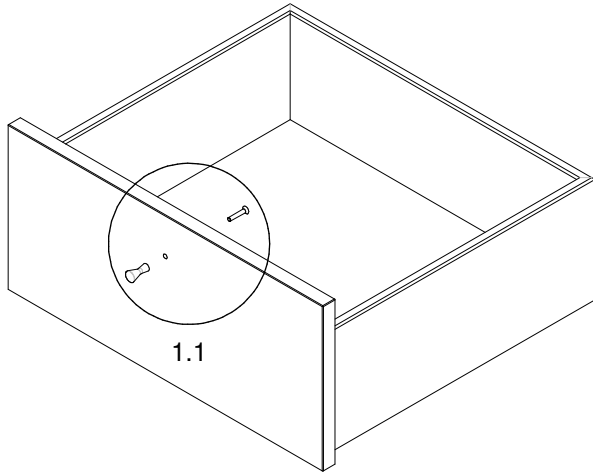


F4L x 1
(6408650)

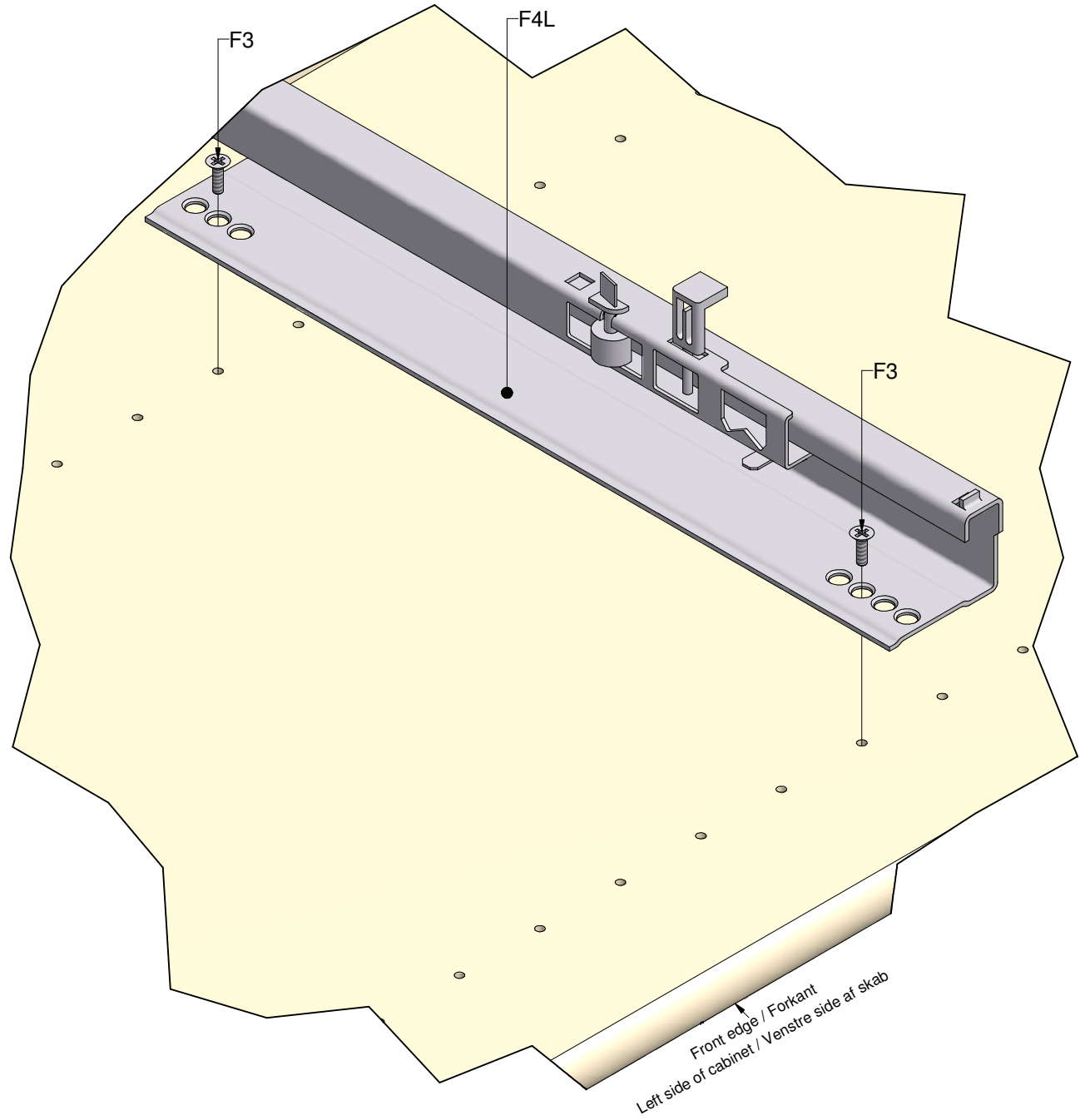


F4R x 1
(6408650)

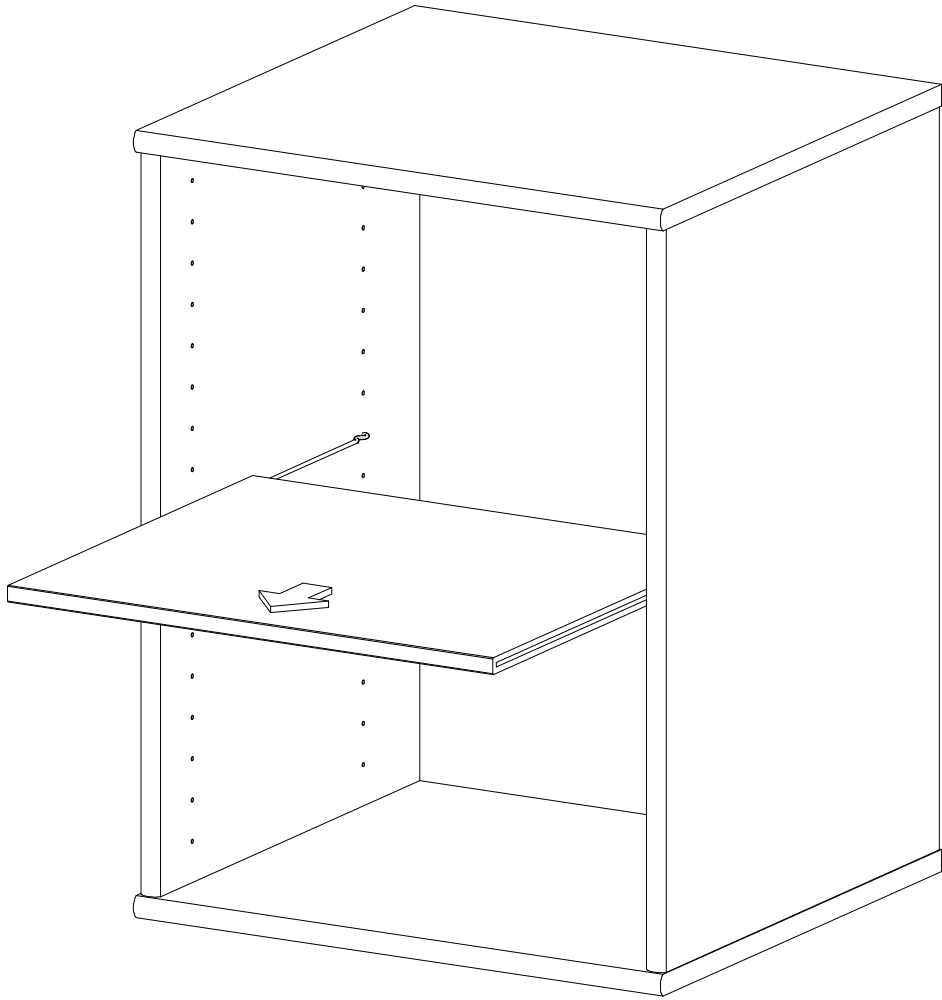
1



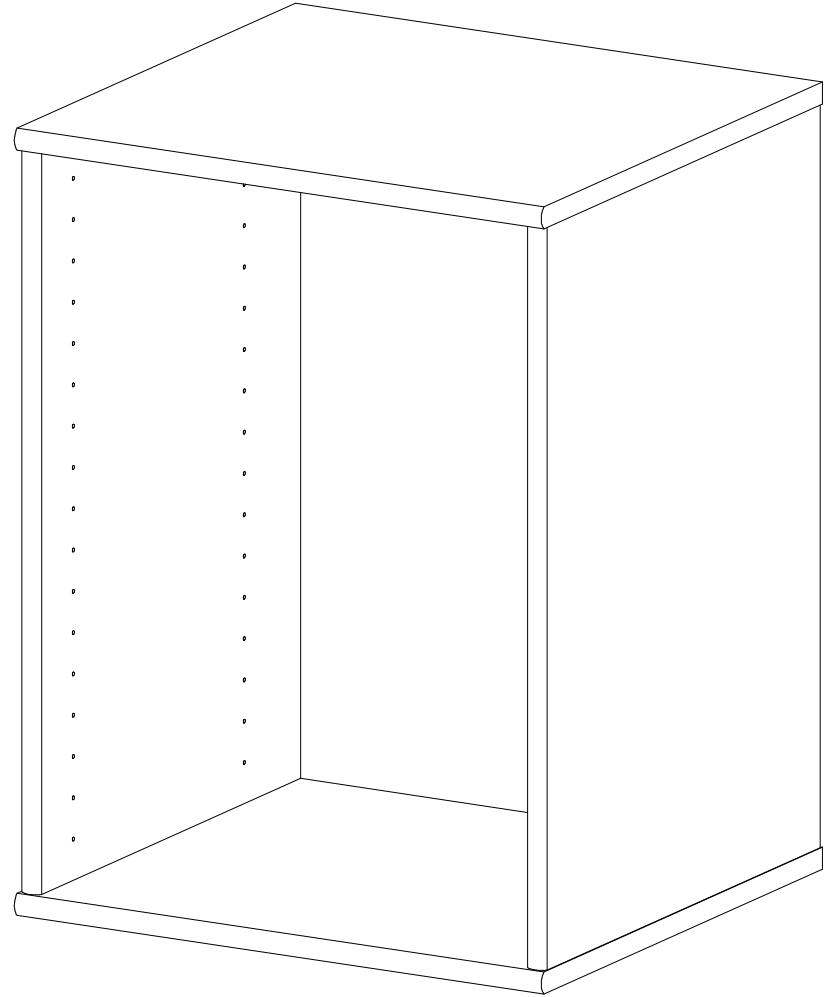
2



3



4



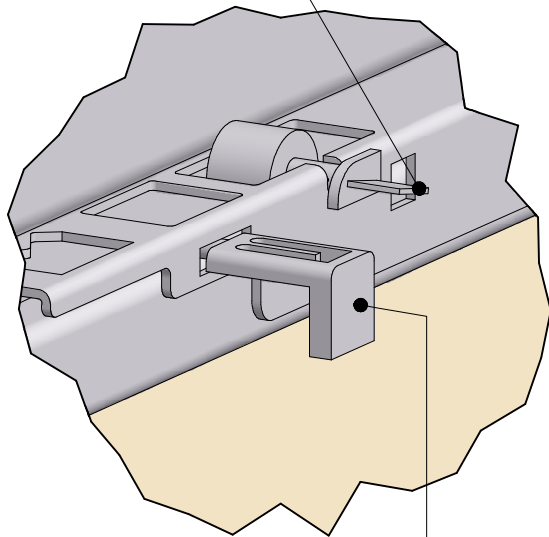
A

How to lock and unlock a drawer and -
how to adjust a drawers vertical position.

Sådan låses og oplåses en skuffe og -
sådan justeres skuffens lodrette position.

(Please observe the drawer is hidden).
(Observer venligst af skuffen er skjult).

Turn right or left to adjust drawer position.
Drej højre eller venstre for justering af skuffeposition.



Push to lock. Pull to unlock.
Pres for at låse. Træk for at oplåse.

5

